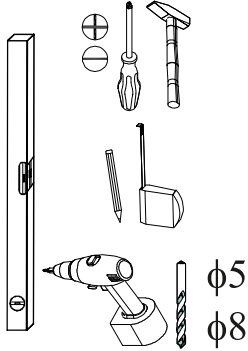
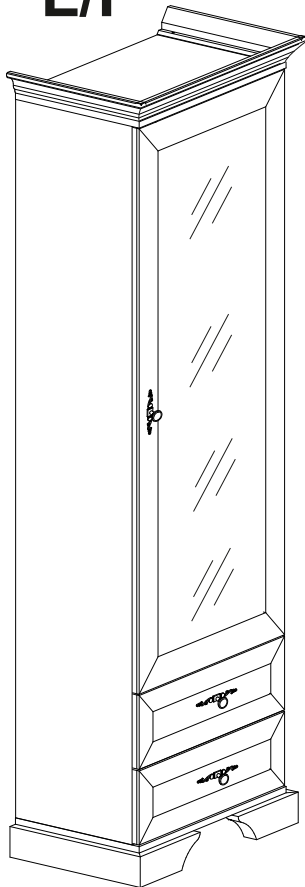
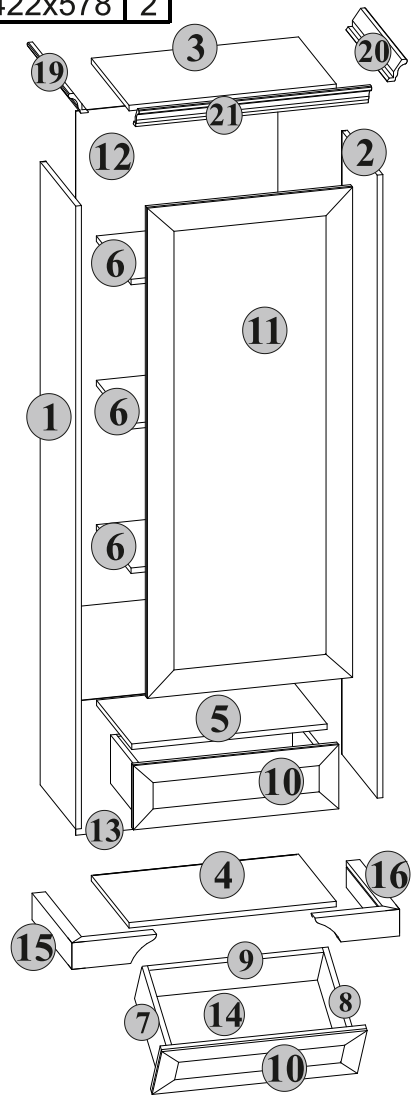
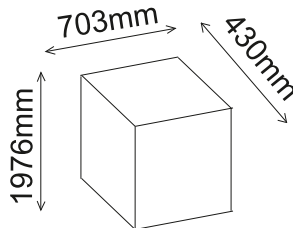


L/P

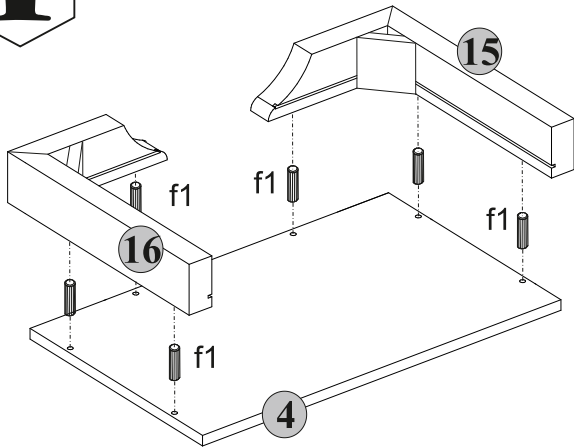


number	Measurements	Pcs.	12	1437x569	1
1	1807x348	1	13	389x569	1
2	1807x348	1	14	502x334	2
3	584x370	1	15	390x238x77	1
4	584x370	1	16	390x238x77	1
5	550x345	1	19	403x	1
6	549x340	3	20	403x	1
7	340x140	2	21	641x	1
8	340x140	2			
9	492x140	2			
10	186x578	2			
11	1422x578	2			

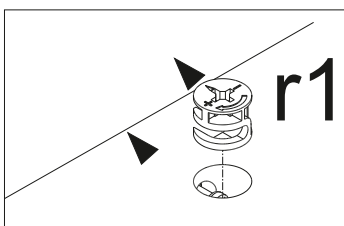
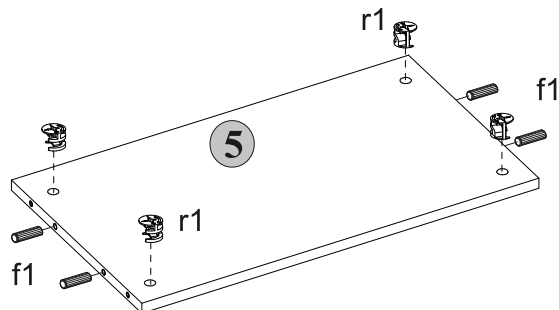
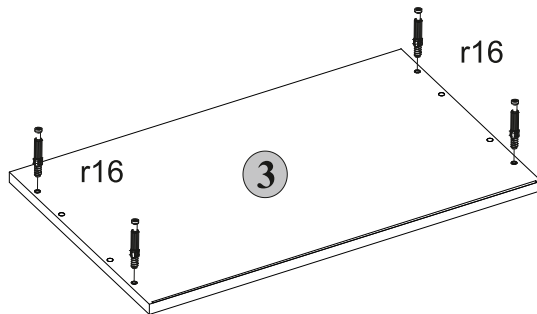
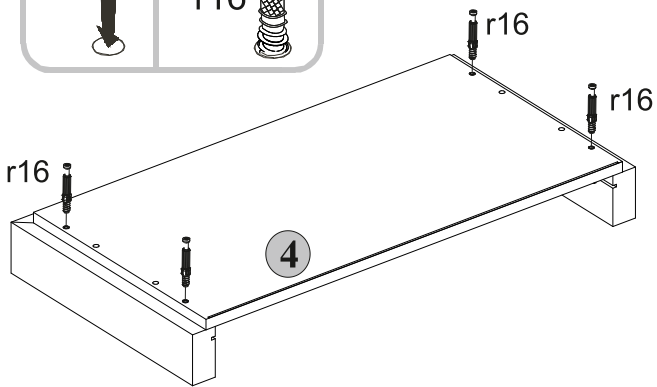
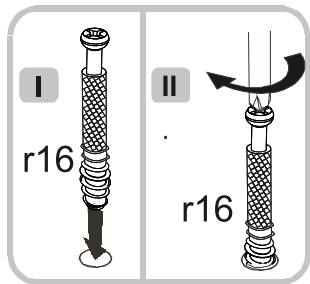
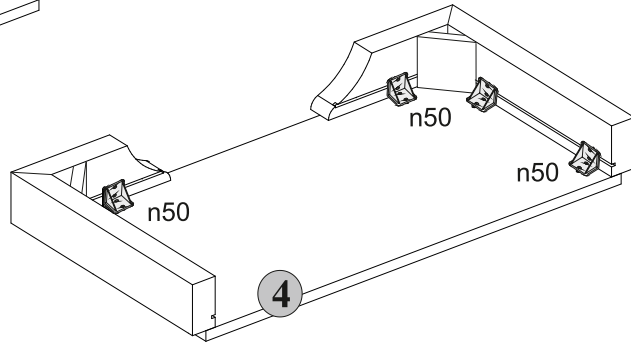
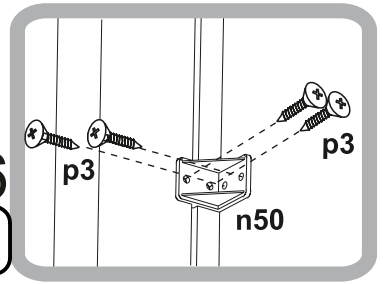


4x  d6	1x  n14				
8x  7x50 e1	8x  s1	2x  φ4x20 mm j1			
7x  φ3.5x25 mm p8	2x  w300	1x  z1			
12x  φ5x17 mm d1	32x  φ3.5x13 mm p1	1x  GLUB y1	2x  n40	50x  l1	3x  b1
4x  φ3.5x9.5 mm p46	24x  φ3.5x16 mm p3	3x  c65	1x  φ4x25 mm j8	6x  φ6.3x13 mm e2	3x  a2
6x  n50	18x  φ8x30 mm f1	20x  φ15 #16 r1	20x  r16	20x  s2	

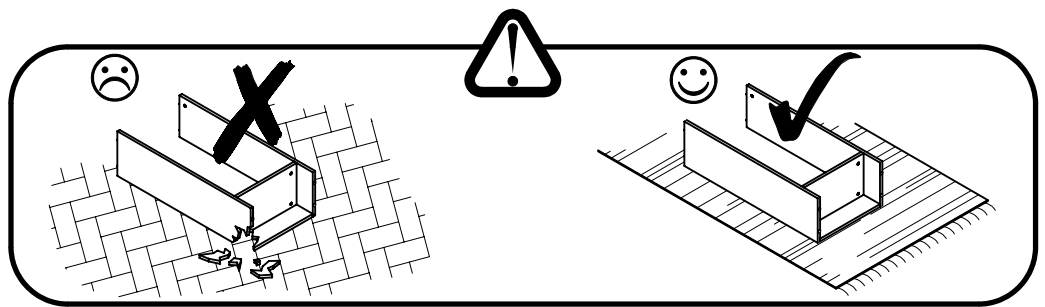
# I



x6

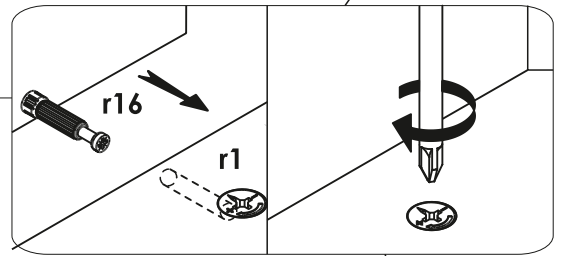
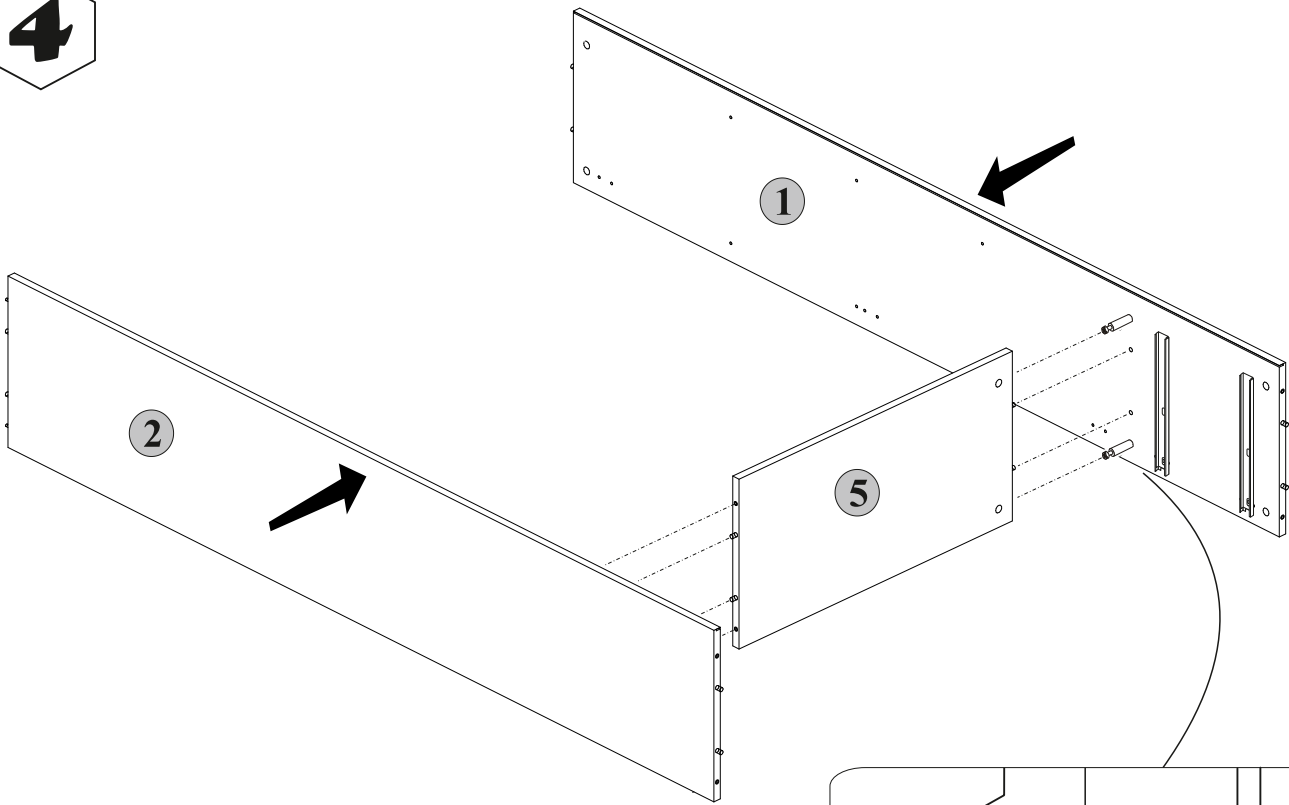


# 2

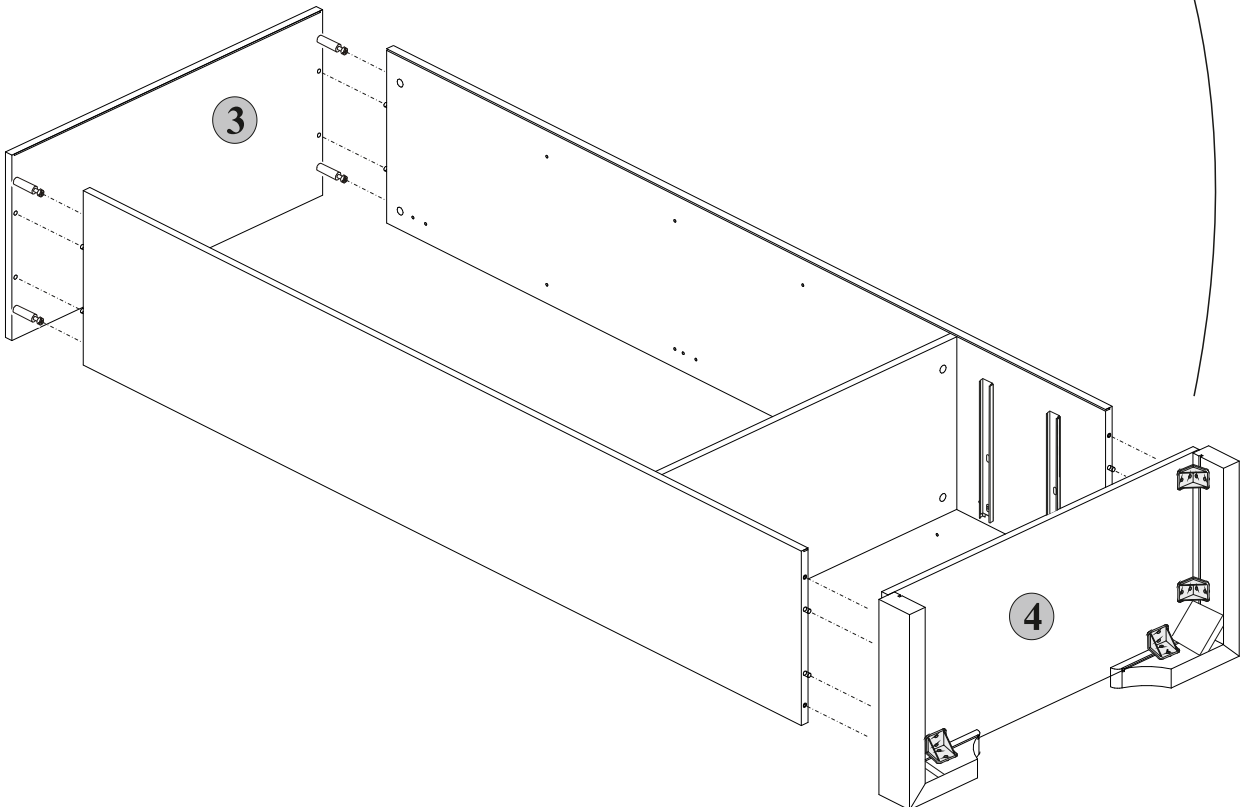




4

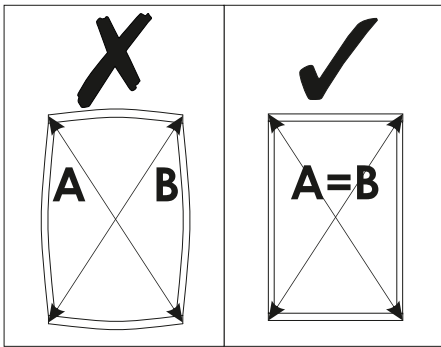
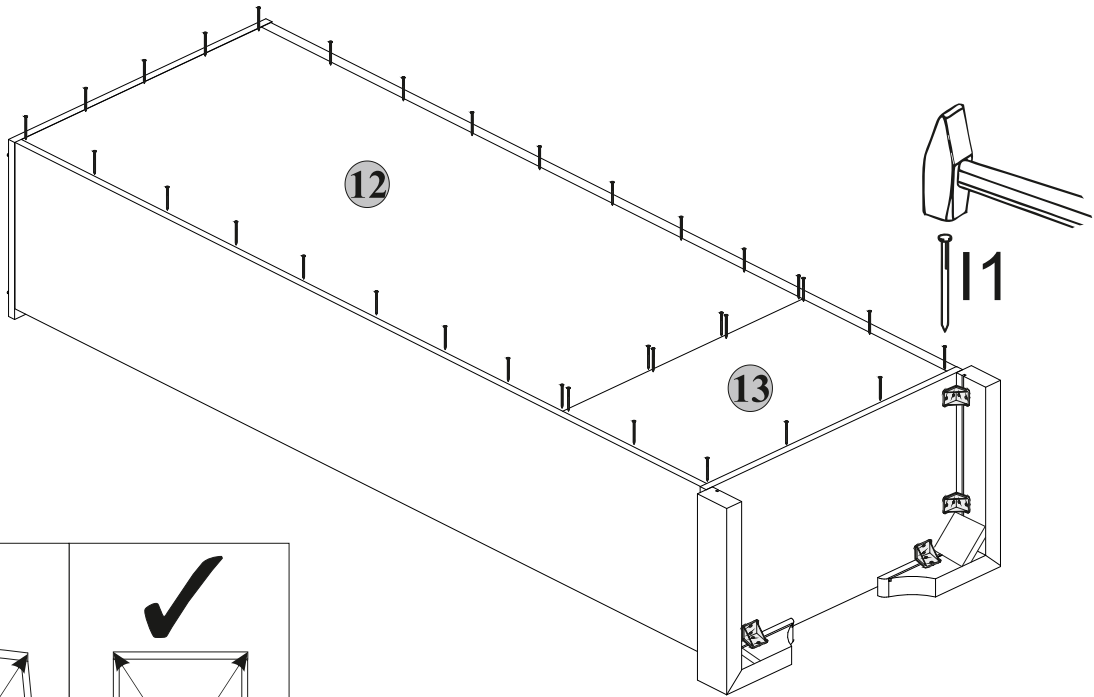


5

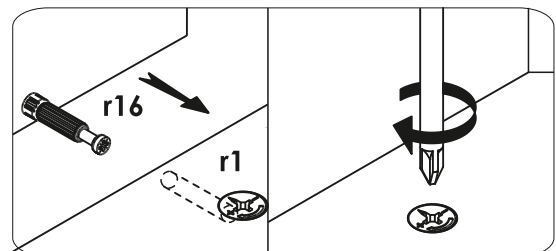
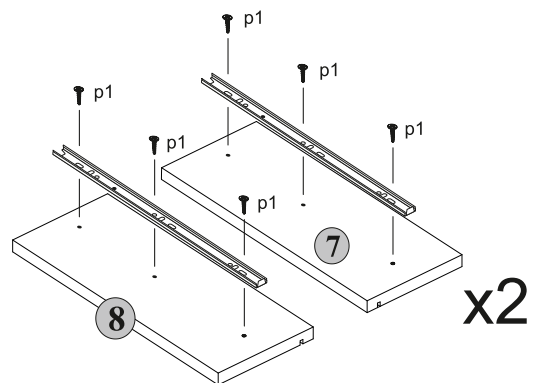
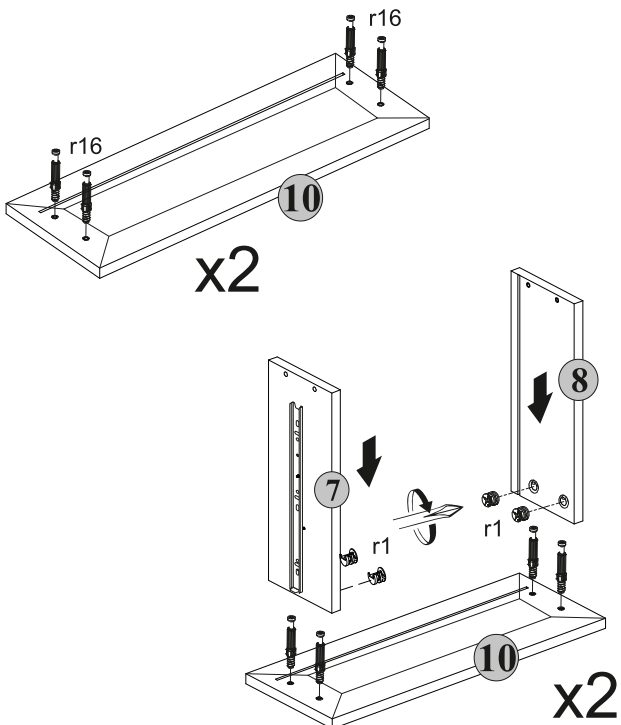


4

6

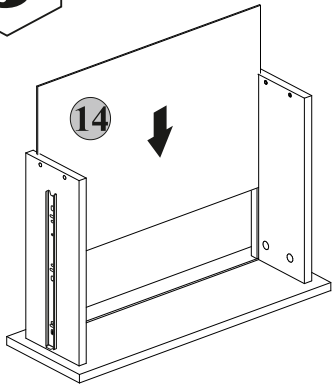


7

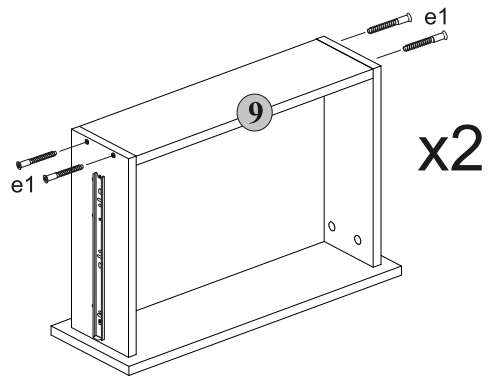
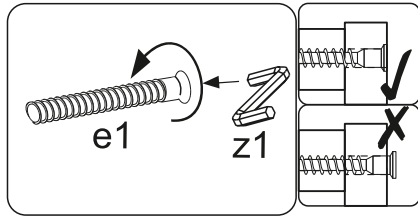


5

8

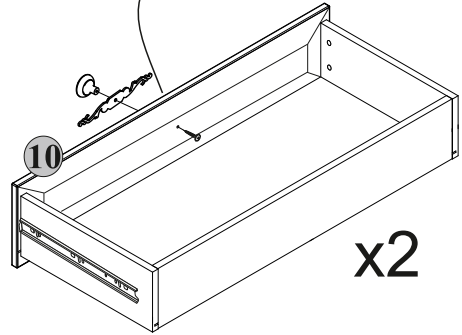
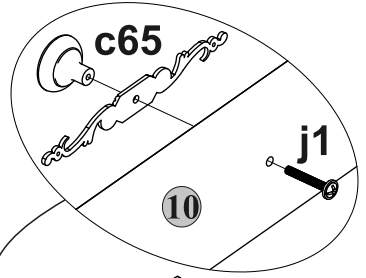
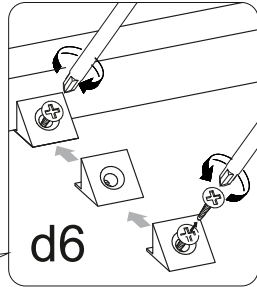
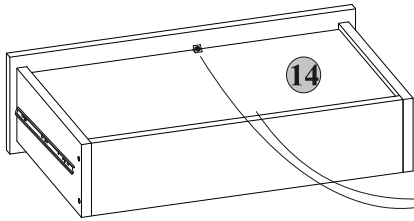


x2



x2

x2

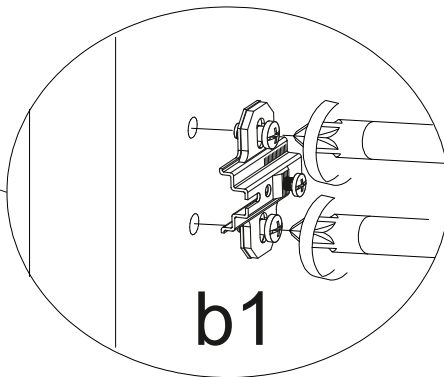
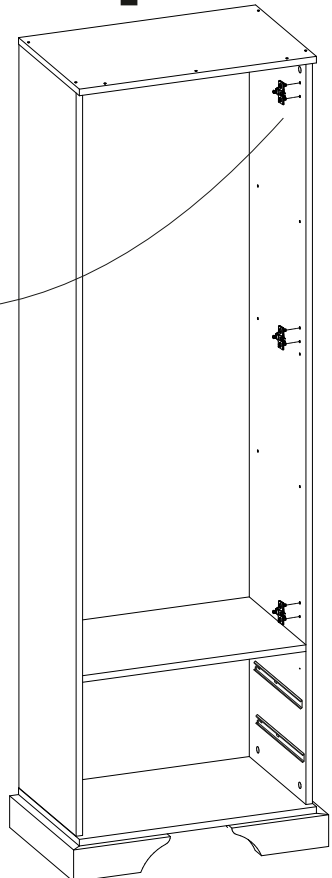
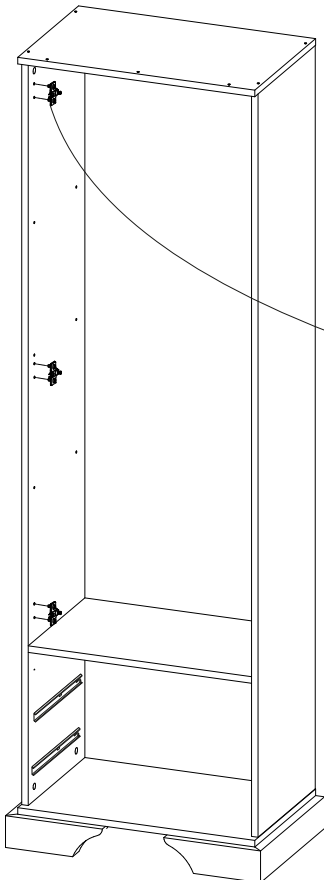


x2

9

L

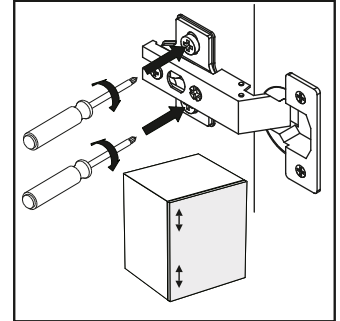
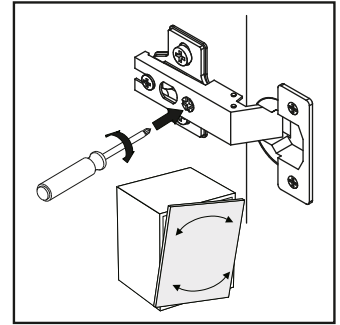
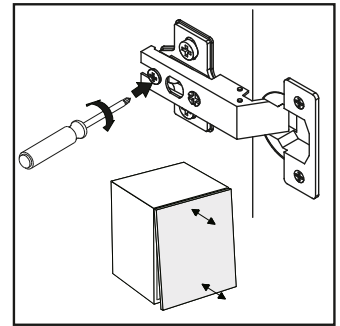
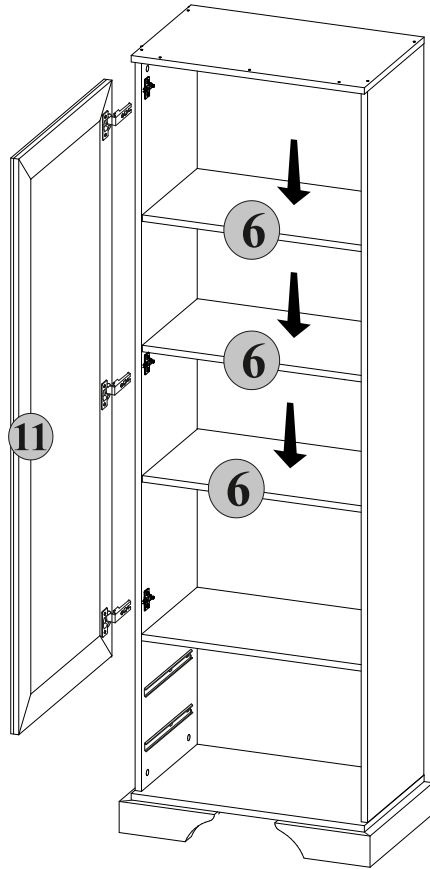
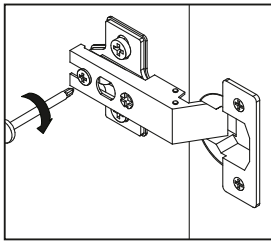
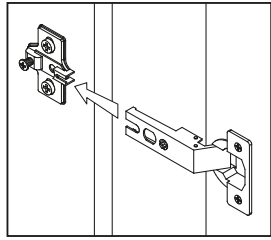
P



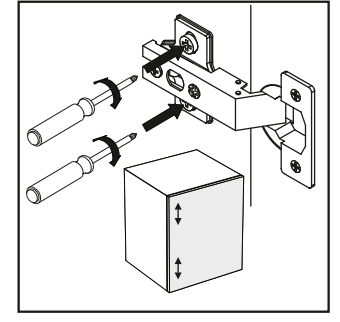
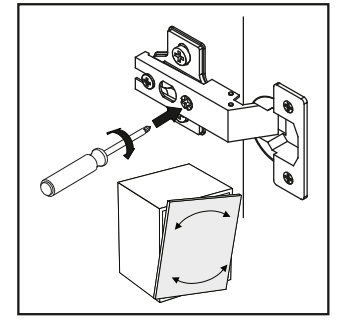
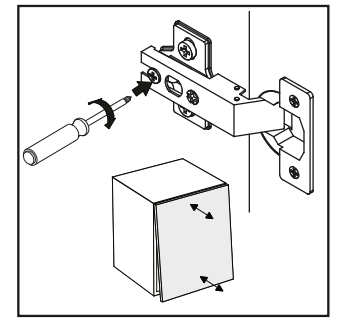
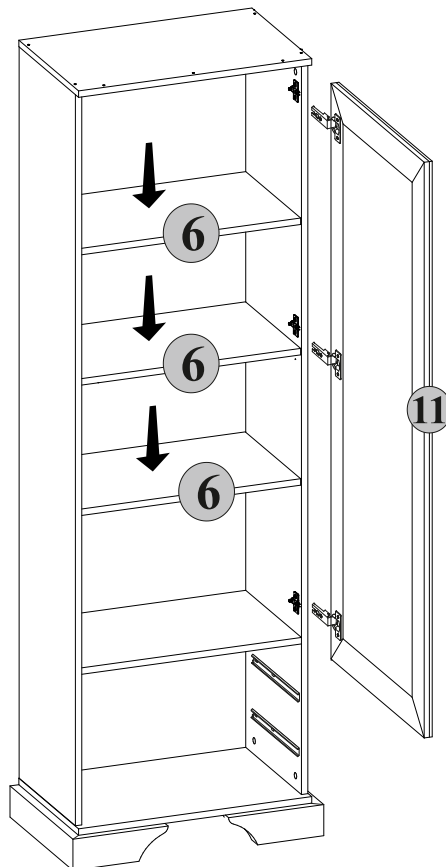
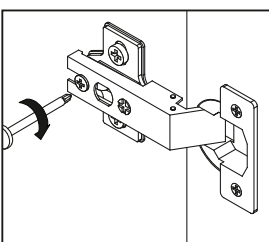
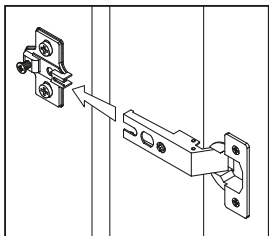
b1

6

# 10L



# 10P



# 11

